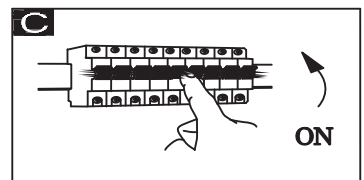
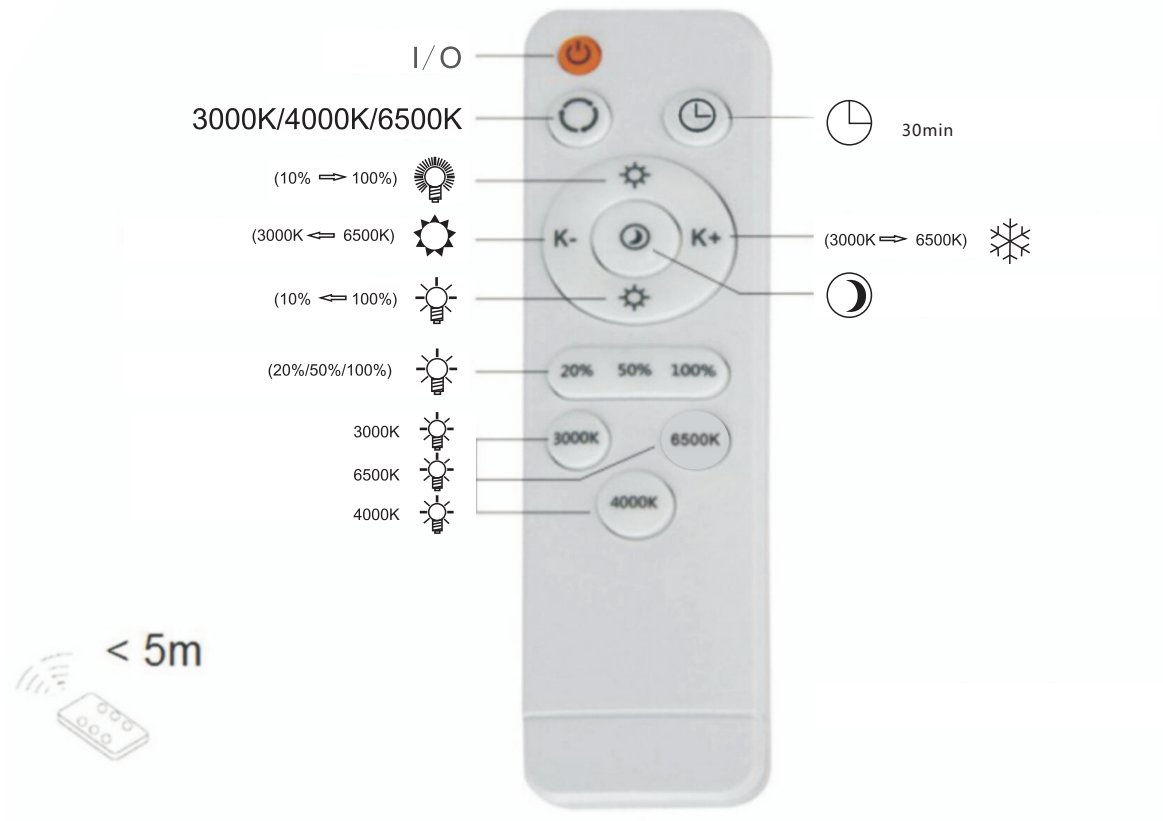
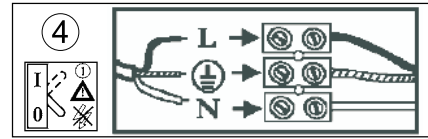
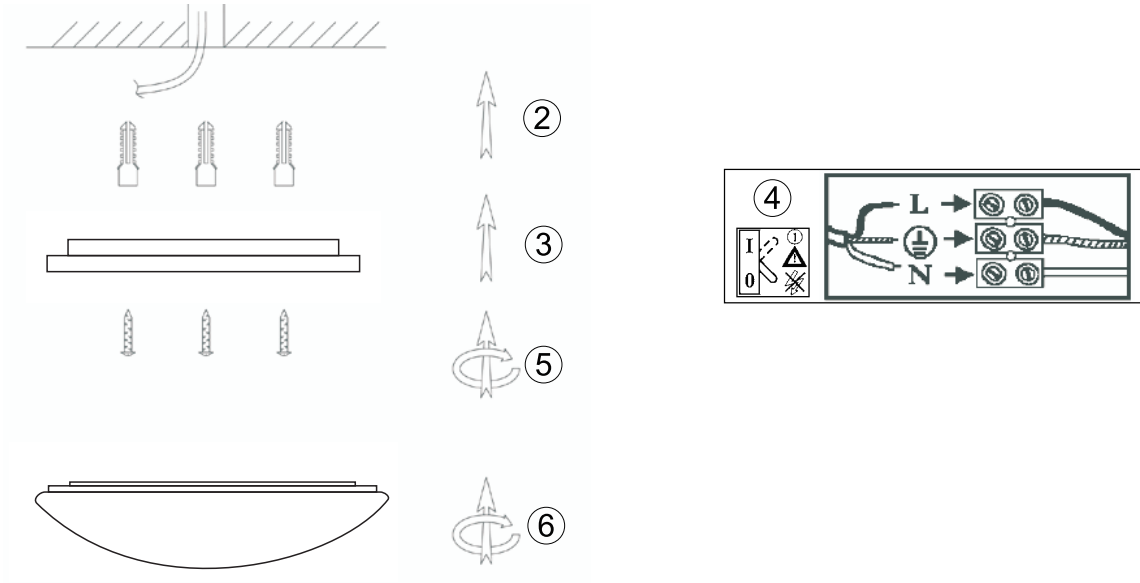


1518/1519/1426/1427/1428

B



CE